



SLIDE GATE OPENER

REMOTE SLIDING GATE OPERATOR FOR RESIDENTIAL & MODERATE COMMERCIAL USE MODEL: SD1010

SPECIFICATION

- Can be fitted between or behind (or even in front of) the gate posts.
- Suitable for gate upto 30mtr opening. Gate Weight Max. upto 5000kg.
- Environmental protection. working temp -20 to +60 C. rain Proof.
- Standard opening time to 12 feet gate 12 seconds.
- Remote control operating distance 100 to 200 feet.
- The Kit weights upto 28Kg Apx.
- Over-load and Over-heat protecting function.
- The above kit comes with a full warranty of 1 year and free technical help.
- C E Test Passed.



FEATURES:

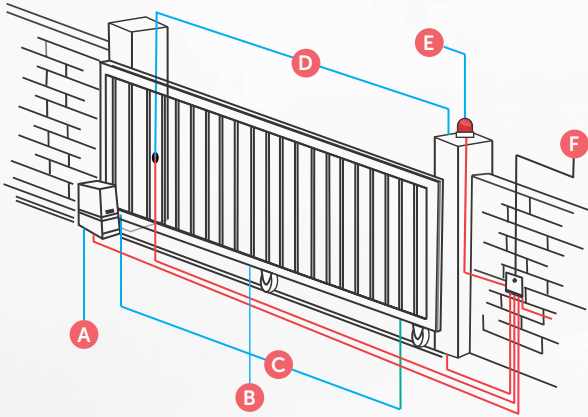
1. Operates on Remote/switch, It is possible to operate this system with almost any access control system (RFID, Biometric etc)
2. With flashing lamp for notification of gate in operation.
3. Auto closing gate delay time adjustable.
4. Can be operated on UPS/Inverter (Select Model)
5. Photocell - automatic return for resistance during closing gate.
6. Manual opening of the gates in the event of power failure.
7. With new wireless keypad the gate only operates with password set by you(optional).
8. Automatically locks the gate and can only be operated by remote and with key provided for manual operation.
9. Pedestrian open (Select Models).

1
YEAR
WARRANTY

LivFuture
AN ISO 9001:2008 COMPANY

CALL OR EMAIL US TODAY

KIT INSTALLATION



- A Sliding Gate Operator
- D Infrared Photocell
- B Galvanized Steel Rack
- E Alarm Lamp
- C Limit Switch
- F Manual Switch

MODELS:

SD1006	SLIDE GATE AC MOTOR IDEAL FOR GATE UPTO 400KG
SD1010	SLIDE GATE AC MOTOR IDEAL FOR GATE UPTO 700KG
SD1014	SLIDE GATE AC MOTOR IDEAL FOR GATE UPTO 1000KG
SD1020	SLIDE GATE AC MOTOR IDEAL FOR GATE UPTO 1600KG
SD1050	SLIDE GATE AC MOTOR IDEAL FOR GATE UPTO 4000KG

OPTIONAL ACCESSORIES

GSM GATE OPENER 	EXTENDER ANTENA 
PHOTOCELL FOR OBSTRUCTION DETECTION 	OPEN GATE WITH CAR LIGHT 
MANUAL SWITCH 	DIGITAL WIRELESS LOCK 

Many More to Choose From..

COMPONENTS DESCRIPTION

TYPE	SD1010
Power supply	220V, 50Hz
Motor speed	42rpm
Rated Output power of Motor	450W
Remote control operating	30m
Remote control mode	Single button
Output shaft height	58.5mm
Max. gate weight	1000Kg
Output torque	32N*m
Limit switch	Switch / Magnetic
Noise	<60dB
Duty cycle	S2, 15 minutes
Extra remote control	25
Environmental temperature	-20°C~+50°C
Gate Move speed	12m/min



*color/design may differ



230V



ACCESS CONTROL



GEARED MOTOR



AUTOMATED LOCK



OVER HEAT PROTECTION



WEATHER PROOF



AUTOMATION & SECURITY PVT. LTD.