

SWING DOOR OPENER

REMOTE SWING DOOR OPERATOR FOR RESIDENTIAL & MODERATE COMMERCIAL USE MODEL: DS3001

SPECIFICATION

- Suitable for door upto 2mtr opening. Gate Weight Max. 200kg (Both Leaf)
- Working temp -20 to +50. (for Indoor Use only)
- Standard opening time to 12 feet gate 1 to 10 seconds.
- Remote control operating distance 50 to 100 feet. (Depending on line of site)
- The Kit weights 12Kg Apx.
- Over-load and overheat protecting function.
- The above kit comes with a full 1 year Warranty and free technical help. CE tests passed

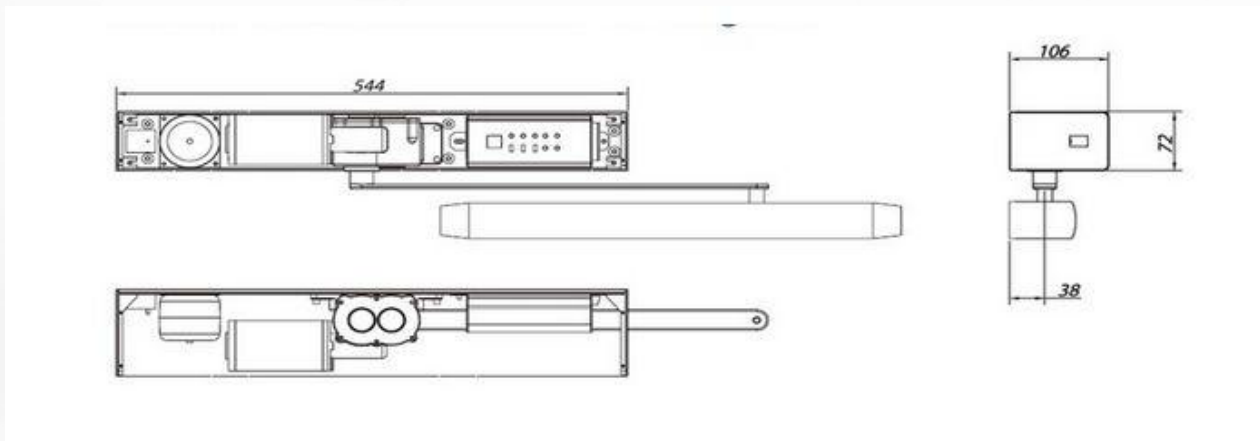


FEATURES:

1. Open and close door by remote/ PIR/Access card etc.
2. Can be integrated with most of access control system (RFID, Biometric etc)
3. Can be paired with upto 50 remote to operate the swing gate operator
4. Safely 12volts DC motors eliminating the dangers of electric shock hazard.
5. Overload sensor provide instant stop upon contact with obstacle.
6. Can work on your existing home Inverted / UPS
7. Remote control transmitter and receiver with code encryption technology.
8. Soft start and stop.
9. The Swing arms are installed above the door, eliminating common

**1
YEAR
WARRANTY****LivFuture**
AN ISO 9001: 2008 COMPANY**CALL OR EMAIL US TODAY**

KIT INSTALLATION



KIT WILL INCLUDE

- 1 Swing door motor & inbuilt controller
- 2 Nos remote
- 2 Nos PIR sensor
- 1 Door Slide
- 1 Swing Arm

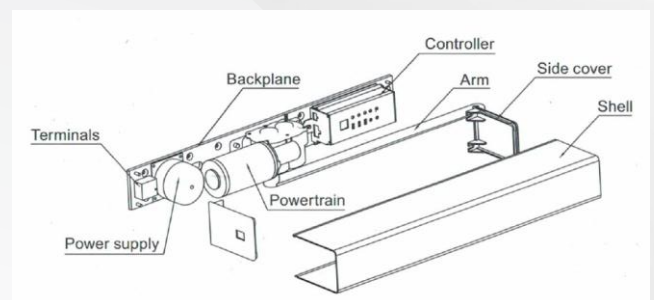
OPTIONAL ACCESSORIES

GSM GATE OPENER		PHOTOCELL FOR OBSTRUCTION DETECTION	
ACCESS CONTROL SYSTEM		TIME CONTROLLED AUTO CLOSE MODE	
MANUAL SWITCH		PASSWORD CONTROLLED ACCESS	

Many More to Choose From..

TECHNICAL DETAILS

Technical Data	Description
Driving Method	Electro-Mechanical geared motor
Operating Voltage	DC 2V for Normal Speed DC 6V For ending Speed
Motor Output	55 watt per arm
Load Capacity	200 Kg
Opening Time	1 -10 Sec (adjustable)
Opening Speed	15-45 cm / Sec
Closing Speed	10- 43 cm / Sec
Current	1 Amp
Motor Power	55W
Standby power	Micro-Processor based
Temperature	0 to 50°C
Opening Range	70 to 115 Deg
Manual Operation	Yes
Max length of gate	2 meters per wing



DC MOTOR ACCESS CONTROL



AUTOMATION & SECURITY PVT. LTD.